

# FLUKE®

# 715

## Volt/mA Calibrator

### Instruction Sheet

#### Introduction

The Fluke 715 Volt/mA Calibrator is a source and measurement tool for 0 to 24 mA current loop testing and dc voltage from 0 to 10 V. The calibrator does not source and measure simultaneously.

Your calibrator is supplied with a Flex-Stand™ holster, a set of test leads, an installed 9 V alkaline battery, and this instruction sheet.

**Summary of Calibrator Capabilities**

Function	Range	Resolution
dc mV input	0 to 100 mV	0.01 mV
dc mV output		
dc V input	0 to 10 V	0.001 V
dc V output		
dc mA input	0 to 24 mA	0.001 mA
dc mA output		
Loop power output	24 V dc output	N/A

If the calibrator is damaged or something is missing, contact the place of purchase immediately. Contact your Fluke distributor for information about accessories. To order replacement parts or spares, see "Replacement Parts."

To contact Fluke, call one of the following telephone numbers:

USA and Canada: 1-888-99-FLUKE (1-888-993-5853)

Europe: +31 402-678-200

Japan: +81-3-3434-0181

Singapore: +65-\*276-6196

Anywhere in the world: +1-425-356-5500








Address correspondence to:

Fluke Corporation  
P.O. Box 9090,  
Everett, WA 98206-9090  
U.S.A.

Fluke Europe B.V.  
P.O. Box 1186,  
5602 BD Eindhoven  
The Netherlands

Visit us on the World Wide Web at: [www.fluke.com](http://www.fluke.com)

#### International Symbols

Symbol	Meaning
	Earth ground
	Fuse
	Battery
	Refer to this instruction sheet for information about this feature.
	Double insulated
	Conforms to relevant Canadian Standards Association directives.
	Conforms to European Union directives

## ***Safety Information***

Use the calibrator only as specified in this sheet, otherwise the protection provided by the calibrator may be impaired.

A **Warning** identifies conditions and actions that pose hazard(s) to the user; a **Caution** identifies conditions and actions that may damage the calibrator or the equipment under test.

### **⚠ Warning**


**To avoid possible electric shock or personal injury:**

- **Never apply more than 30 V between any two jacks (terminals), or between any jack and earth ground.**
- **Make sure the battery door is closed and latched before you operate the calibrator.**
- **Remove test leads from the calibrator before you open the battery door.**
- **Do not operate calibrator if it is damaged.**
- **Do not operate the calibrator around explosive gas, vapor, or dust.**
- **When servicing the calibrator, use only specified replacement parts.**

### **Caution**

**Use the proper jacks, function, and range for your measurement or output application.**

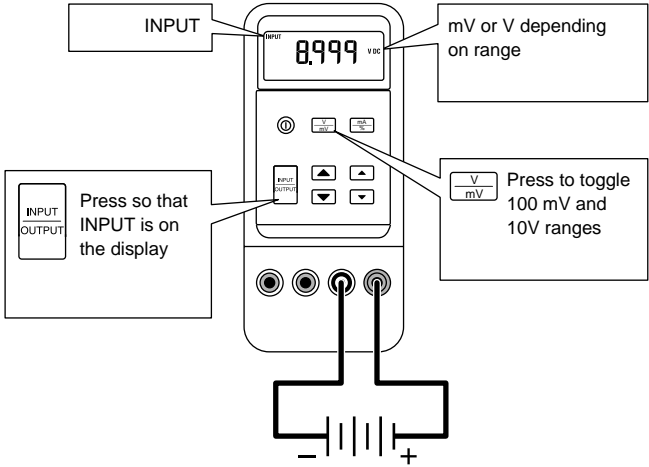
## ***Turning the Calibrator On***

Press the green  pushbutton to turn the calibrator on and off.

For longest battery life:

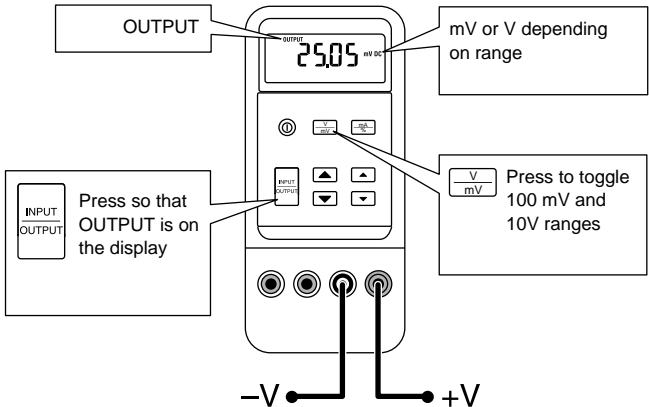
- For mA output, use current simulate mode instead of source mode when an external 24 to 30 V loop power supply is available. (See Simulating a Transmitter.)
- Turn off the calibrator when not in use.

# Measuring dc Volts



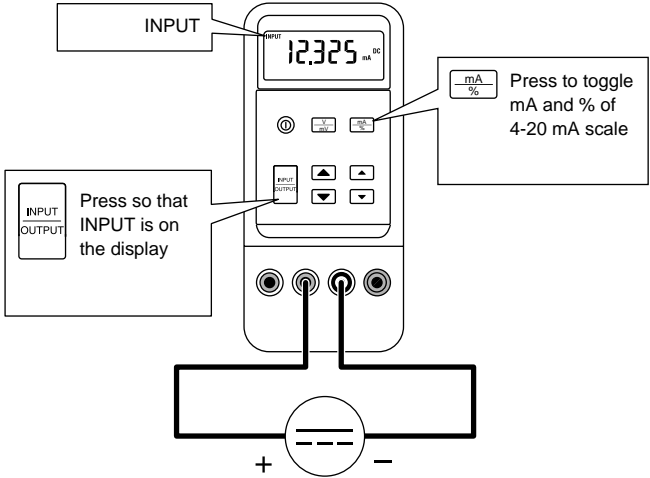
it01i.eps

# Sourcing dc Volts

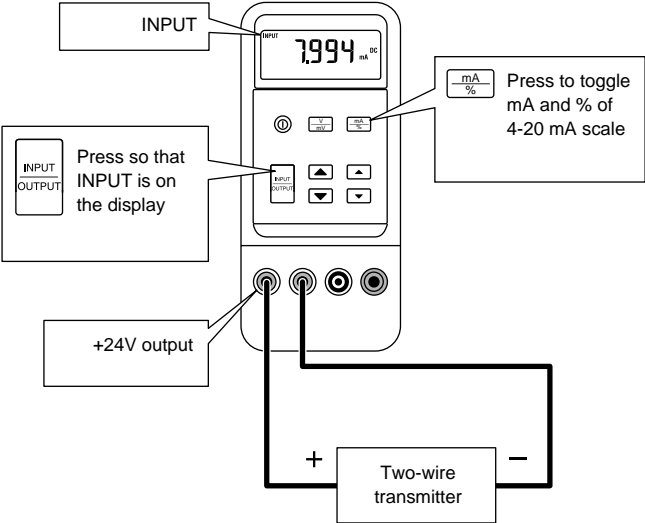


it02i.eps

# Measuring dc mA



# Measuring dc mA with Loop Power



# Using the Current Output Modes

The calibrator provides current output in mA or percent display. Percent is -25.00 to 125.00%, where 0% is 4 mA, and 100% is 20 mA.

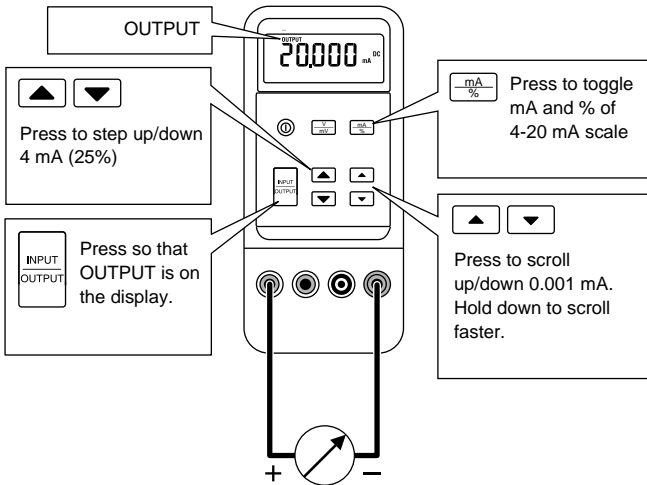
In source mode, the calibrator supplies the current. In simulate mode, the calibrator simulates a two-wire transmitter in an externally-powered current loop.

## Sourcing mA

Use source mode whenever you need to supply current into a passive circuit such as a current loop with no loop supply. Insert the test leads into the OUTPUT + and - mA jacks as shown below.

### Note

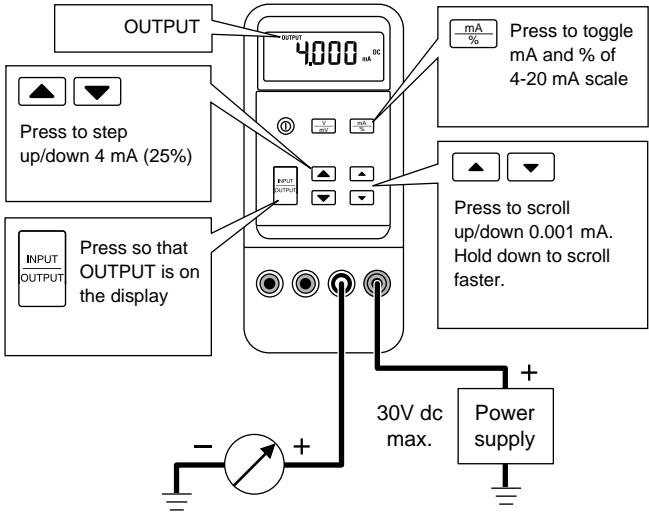
*A path must exist for current to flow between the OUTPUT + and -mA jacks, otherwise the display will indicate an overload (OL) when you set an output value.*



## Simulating a Transmitter

Use simulate mode when an external 24 to 30 V loop power supply is available.

Insert the test leads into the mA SIMULATE – and + jacks as shown below.





## ***Maintenance***

For maintenance procedures not described in this sheet, contact a Fluke Service Center.

### ***In Case of Difficulty***

- Check the battery, fuses, and test leads. Replace as necessary.
- Review this sheet to make sure you are using the correct jacks and pushbuttons.

If the calibrator needs repair, contact a Fluke Service Center. If the calibrator is under warranty, see the warranty statement below for terms. If the warranty has lapsed, the calibrator will be repaired and returned for a fixed fee. Contact a Fluke Service Center for information and price.

## ***Cleaning***


Periodically wipe the case with a damp cloth and detergent; do not use abrasives or solvents.

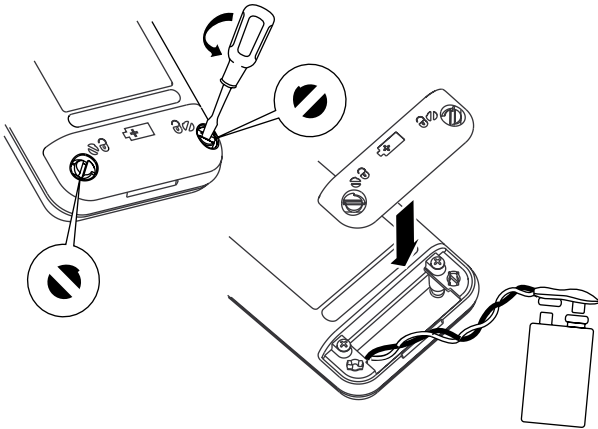
## ***Calibration***

Calibrate your calibrator once a year to ensure that it performs according to its specifications. A calibration manual is available (PN 686540). Call 1-800-526-4731 from the USA and Canada. In other countries, contact a Fluke Service Center.

## ***Replacing the Battery***

### **⚠ Warning**

**To avoid false readings, which could lead to possible electric shock or personal injury, replace the battery as soon as the battery indicator (  ) appears.**



## ***Replacing a Fuse***

### **Warning**

**To avoid personal injury or damage to the calibrator, use only a 0.125A 250 V fast fuse, Littelfuse® 2AG.**

Fuse F1 is probably blown if:

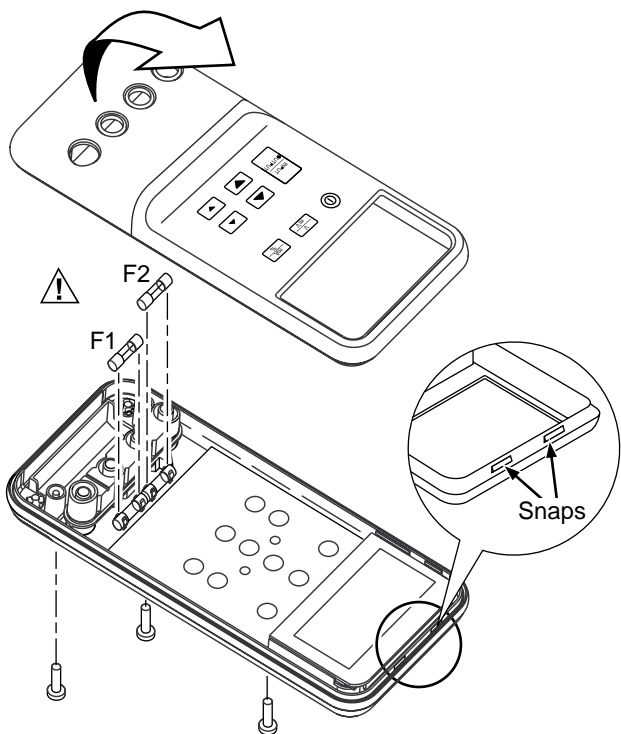
- in the mA input mode, the calibrator always reads 0.000, even with a signal applied.
- in the mA output mode, with a short across the mA OUTPUT jacks, OL is flashing on the display.

Fuse F2 is probably blown if:

- in the V output mode, with the test leads removed from the calibrator, the display flashes OL.
- in the V input mode, the calibrator always displays OL, even with a signal applied that is within the measurement range.

Replace a fuse as follows:

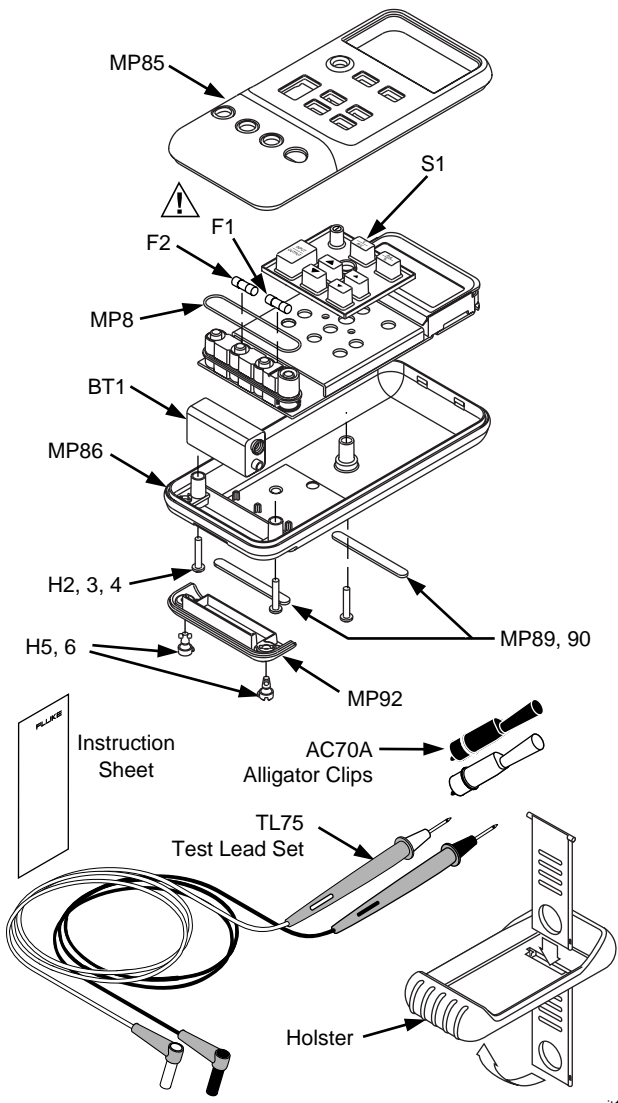
1. Remove the test leads and turn the calibrator off.
2. Remove the battery door.
3. Remove the three Phillips-head screws from the case bottom and turn the case over.
4. Gently lift the top cover from the end nearest the input/output jacks until it unsnaps from the bottom cover.
5. Replace the blown fuse with a 0.125 A 250 V fast fuse, Littelfuse® 2AG. Fuses F1 and F2 are the same type.
6. Fit the top and bottom covers together, engaging the two snaps. Make sure that the gasket is properly seated. Reinstall the three screws.
7. Replace the battery door.



# Replacement Parts and Accessories

## Replacement Parts

Item	Description	PN or Model no.	Qty.
BT1	9V battery, ANSI/NEDA 1604A or IEC 6LR61	614487	1
CG81Y	Holster, Yellow	CG81Y	1
⚠ F1, F2	Fuse, 125 mA, 250 V fast	686527	1
MP85	Case top	620200	1
MP86	Case bottom	620168	1
H2, 3, 4	Case screw	832246	3
MP89, 90	Non-skid foot	824466	2
MP8	O-ring for input/output receptacle	831933	1
MP92	Battery door	619947	1
H5, 6	Battery door fasteners	948609	2
S1	Keypad	687100	1
TL75	Test lead set	TL75	1
-	Instruction sheet	650314	1
AC70A	Alligator clips	AC70A	1
TL20	Industrial test lead set	TL20	Option
-	71X Calibration Manual	686540	Option



## Specifications

Specifications are based on a one year calibration cycle and apply from +18°C to +28°C unless stated otherwise. "Counts" means number of increments or decrements of the least significant digit.

### DC V Input and Output

Range	Resolution	Accuracy, $\pm$ (% of Reading + Counts)
100 mV	0.01 mV	0.02% + 2
10 V	0.001 V	0.02% + 2

*Input impedance: 2 M $\Omega$  (nominal), < 100 pF*  
*Overvoltage protection: 30 V*  
*Voltage drive capability: 1 mA*

### DC mA Input

Range	Resolution	Accuracy, $\pm$ (% of Reading + Counts)
24 mA	0.001 mA	0.015% + 2

*Overload protection: 125 mA, 250 V fast acting fuse*

### DC mA Output

Range: 0 mA to 24 mA

Percent display: 0% = 4 mA, 100% = 20 mA

Accuracy:  $\pm$ (0.015% of reading + 2 counts)

#### Source mode:

Compliance: 1000  $\Omega$  at 20 mA for battery voltage  $\geq$ 6.8 V (700  $\Omega$  at 20 mA for battery voltage 5.8 to 6.8 V)

#### Simulate mode:

External loop voltage requirement: 24 V nominal, 30 V maximum, 12 V minimum

### Loop Power

24 V  $\pm$ 10%

## ***General Specifications***

**Maximum voltage applied between any jack and earth ground or between any two jacks:** 30 V

**Storage temperature:** -40°C to 60°C

**Operating temperature:** -10°C to 55°C

**Operating altitude:** 3000 meters maximum

**Temperature coefficient:**  $\pm 0.005\%$  of range per °C for the temperature ranges -10 to 18°C and 28 to 55°C

**Relative humidity:** 95% up to 30°C, 75% up to 40°C, 45% up to 50°C, and 35% up to 55°C

**Vibration:** Random 2 g, 5 to 500 Hz

**Shock:** 1 meter drop test

**Safety:** Certified as compliant to CAN/CSA C22.2 No. 1010.1:1992. Complies with ANSI/ISA S82.01-1994.

**Power requirements:** Single 9 V battery (ANSI/NEDA 1604A or IEC 6LR61)

**Size:** 32 mm H x 87 mm W x 187 mm L (1.25 in H x 3.41 in W x 7.35 in L);

With holster and Flex-Stand: 52 mm H x 98 mm W x 201 mm L (2.06 in H x 3.86 in W x 7.93 in L)

**Weight:** 349 g (12.3 oz);

With holster and Flex-Stand: 601 g (21.2 oz)



## **LIMITED WARRANTY & LIMITATION OF LIABILITY**

This Fluke product will be free from defects in material and workmanship for three years from the date of purchase. This warranty does not cover fuses, disposable batteries or damage from accident, neglect, misuse or abnormal conditions of operation or handling. Resellers are not authorized to extend any other warranty on Fluke's behalf. To obtain service during the warranty period, send your defective calibrator to the nearest Fluke Authorized Service Center with a description of the problem.

THIS WARRANTY IS YOUR ONLY REMEDY. NO OTHER WARRANTIES, SUCH AS FITNESS FOR A PARTICULAR PURPOSE, ARE EXPRESSED OR IMPLIED. FLUKE IS NOT LIABLE FOR ANY SPECIAL, INDIRECT, INCIDENTAL OR CONSEQUENTIAL DAMAGES OR LOSSES, ARISING FROM ANY CAUSE OR THEORY. Since some states or countries do not allow the exclusion or limitation of an implied warranty or of incidental or consequential damages, this limitation of liability may not apply to you.